
APPENDIX D TYPICAL STRUCTURE DETAILS
[AUGUST 2024]

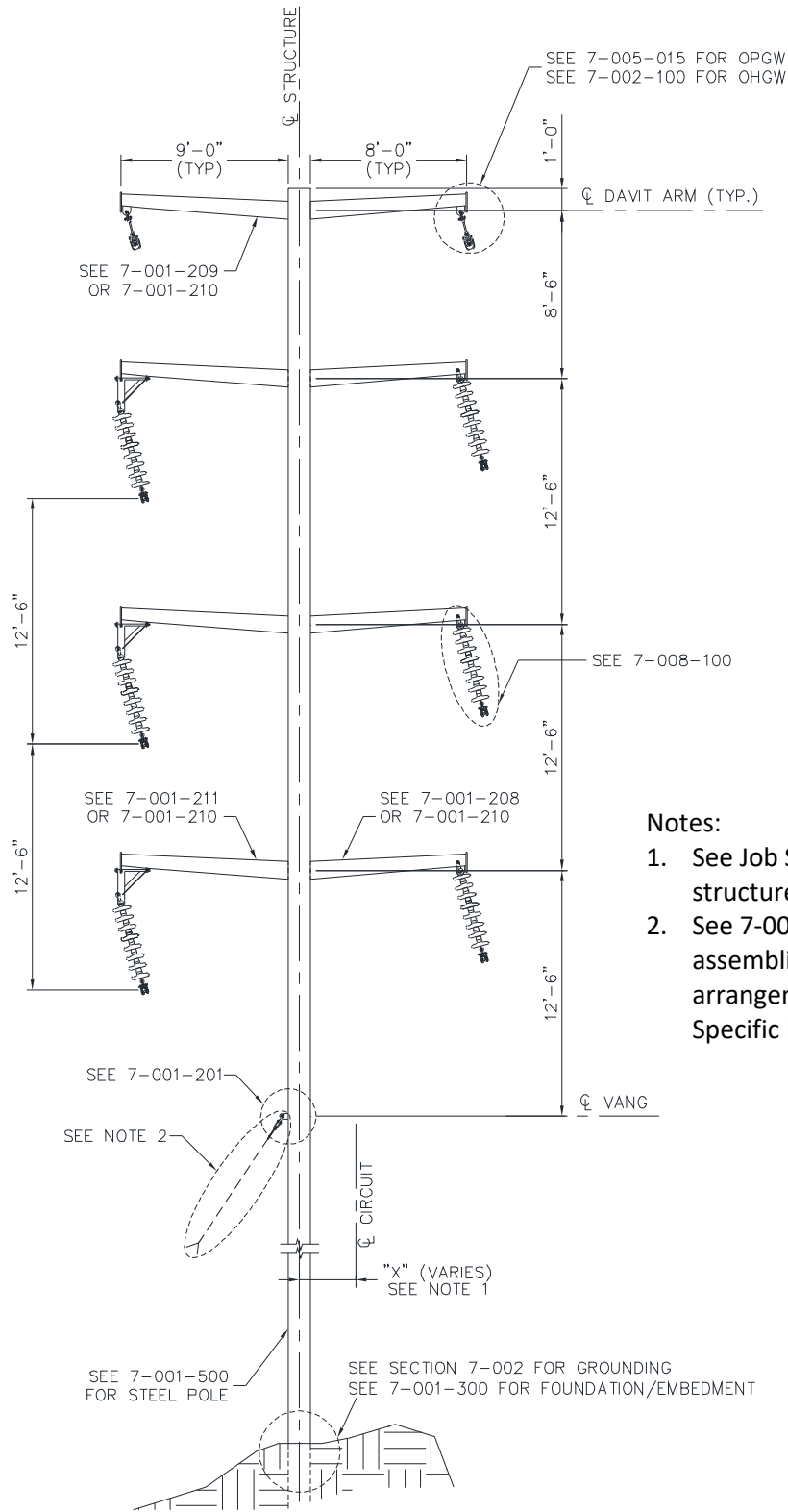
This page intentionally left blank.



7-008-002
115/138kV Double Circuit Steel Pole
Light Angle Suspension Structure

Revision: 02
 Effective Date: 05/21/2023
 Sheet 1 of 1

T-7-008-002



Notes:

1. See Job Specific Drawings for structure layout dimensions.
2. See 7-001 for guy wire and anchor assemblies. Guy and anchor arrangement may vary per Job Specific Drawings.

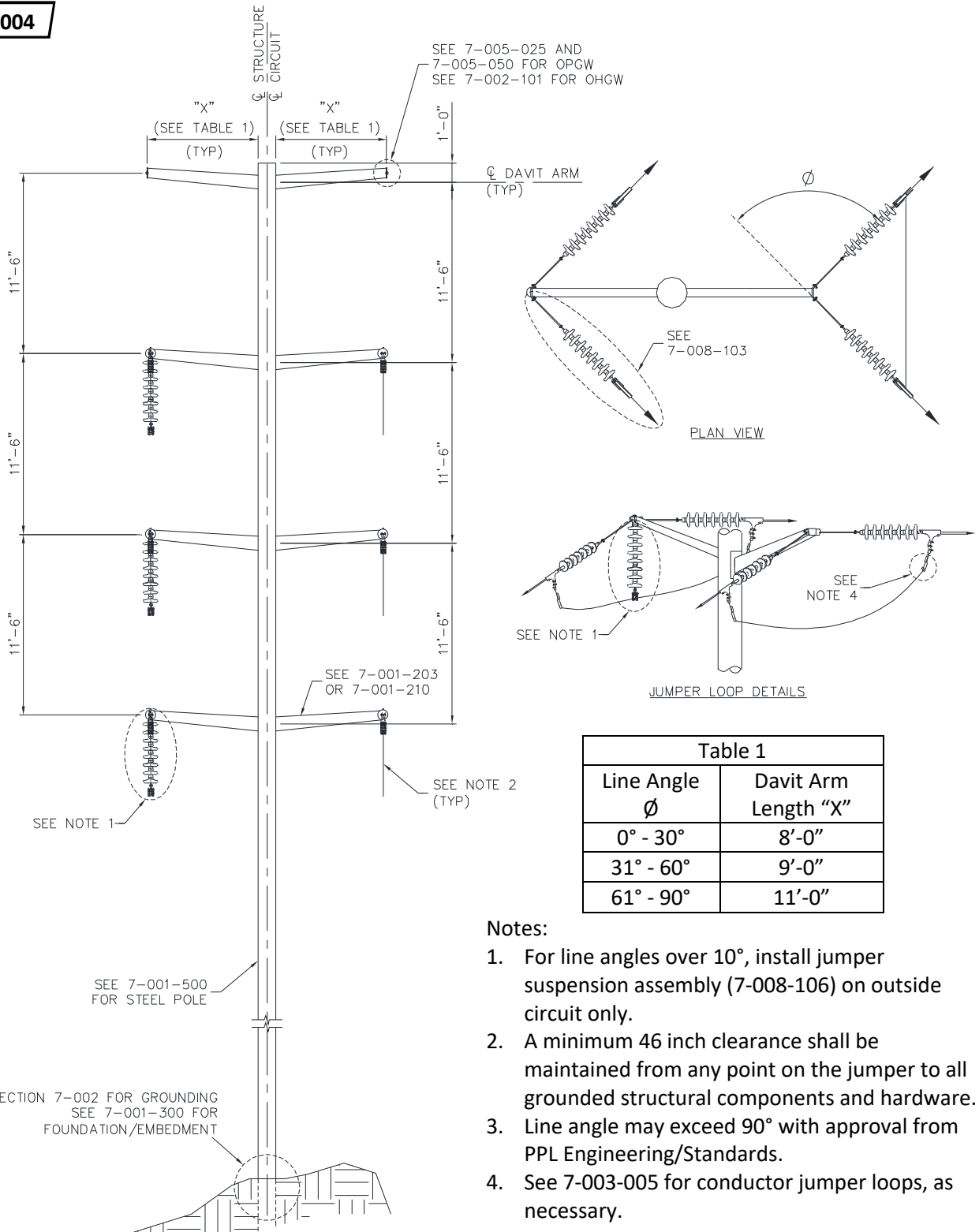
Rev	Date	ECN	Sponsor	Reviewer	Transmission Construction Standards PPL Corporate
00	03/18/2016	ECN-6316	MSD	SDS	
01	02/14/2022	ECN-15222	JAK	KEL	Approved: Kyle Supinski
02	05/21/2023	ECN-16828	JMB	JFK	Manager T&S Standards



7-008-004
115/138kV Double Circuit Steel Pole
Tension on Arm Structure

Revision: 02
 Effective Date: 05/21/2023
 Sheet 1 of 1

T-7-008-004



Line Angle ϕ	Davit Arm Length "X"
0° - 30°	8'-0"
31° - 60°	9'-0"
61° - 90°	11'-0"

- Notes:**
1. For line angles over 10°, install jumper suspension assembly (7-008-106) on outside circuit only.
 2. A minimum 46 inch clearance shall be maintained from any point on the jumper to all grounded structural components and hardware.
 3. Line angle may exceed 90° with approval from PPL Engineering/Standards.
 4. See 7-003-005 for conductor jumper loops, as necessary.

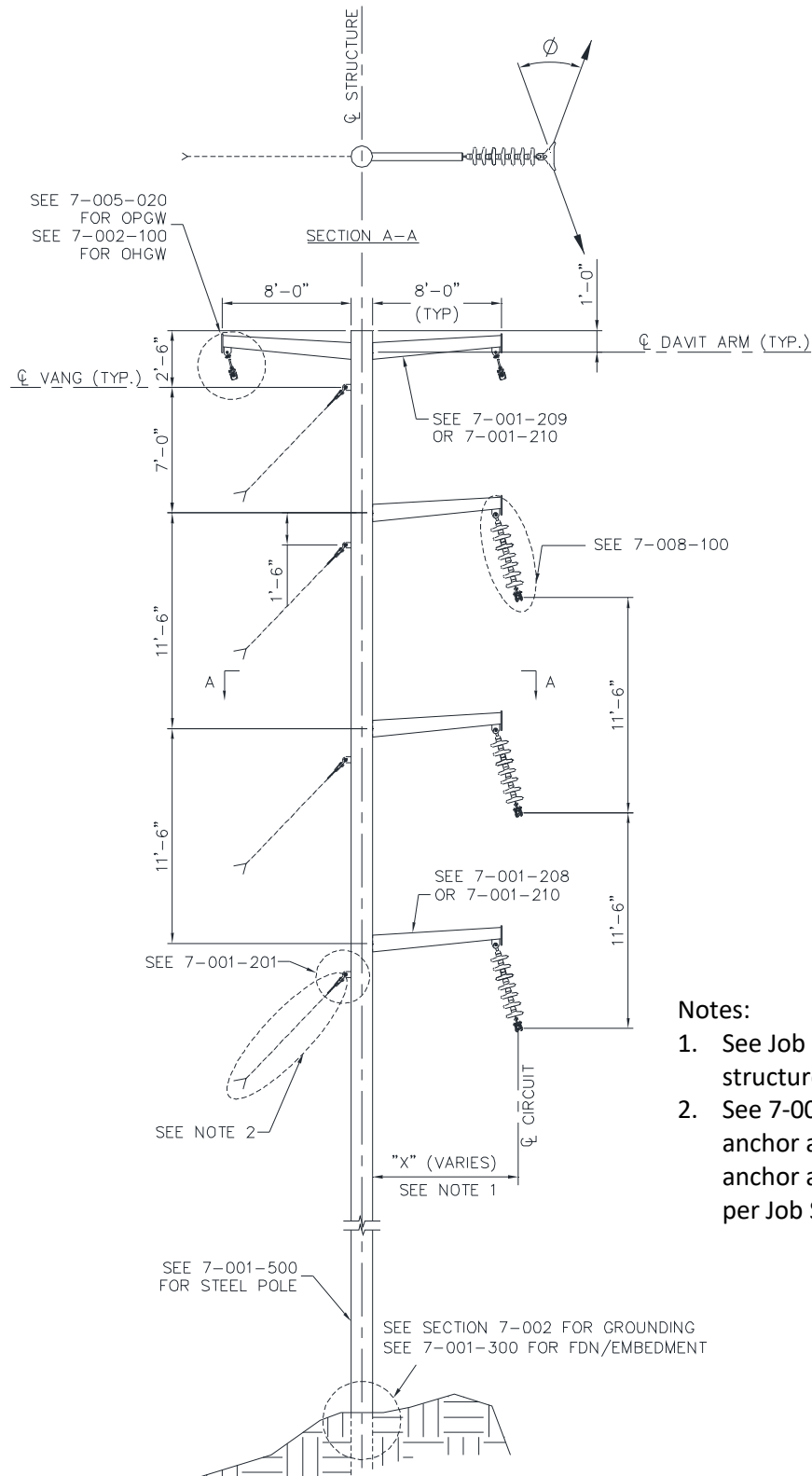
Rev	Date	ECN	Sponsor	Reviewer	Transmission Construction Standards PPL Corporate
00	03/18/2016	ECN-6316	MSD	SDS	
01	03/11/2022	ECN-15806	JAK	KEL	Approved: Kyle Supinski
02	05/21/2023	ECN-16828	JMB	JFK	Manager T&S Standards



7-008-011
115/138kV Single Circuit Steel Pole
Light Angle Suspension Structure

Revision: 02
 Effective Date: 05/21/2023
 Sheet 1 of 1

T-7-008-011



Notes:

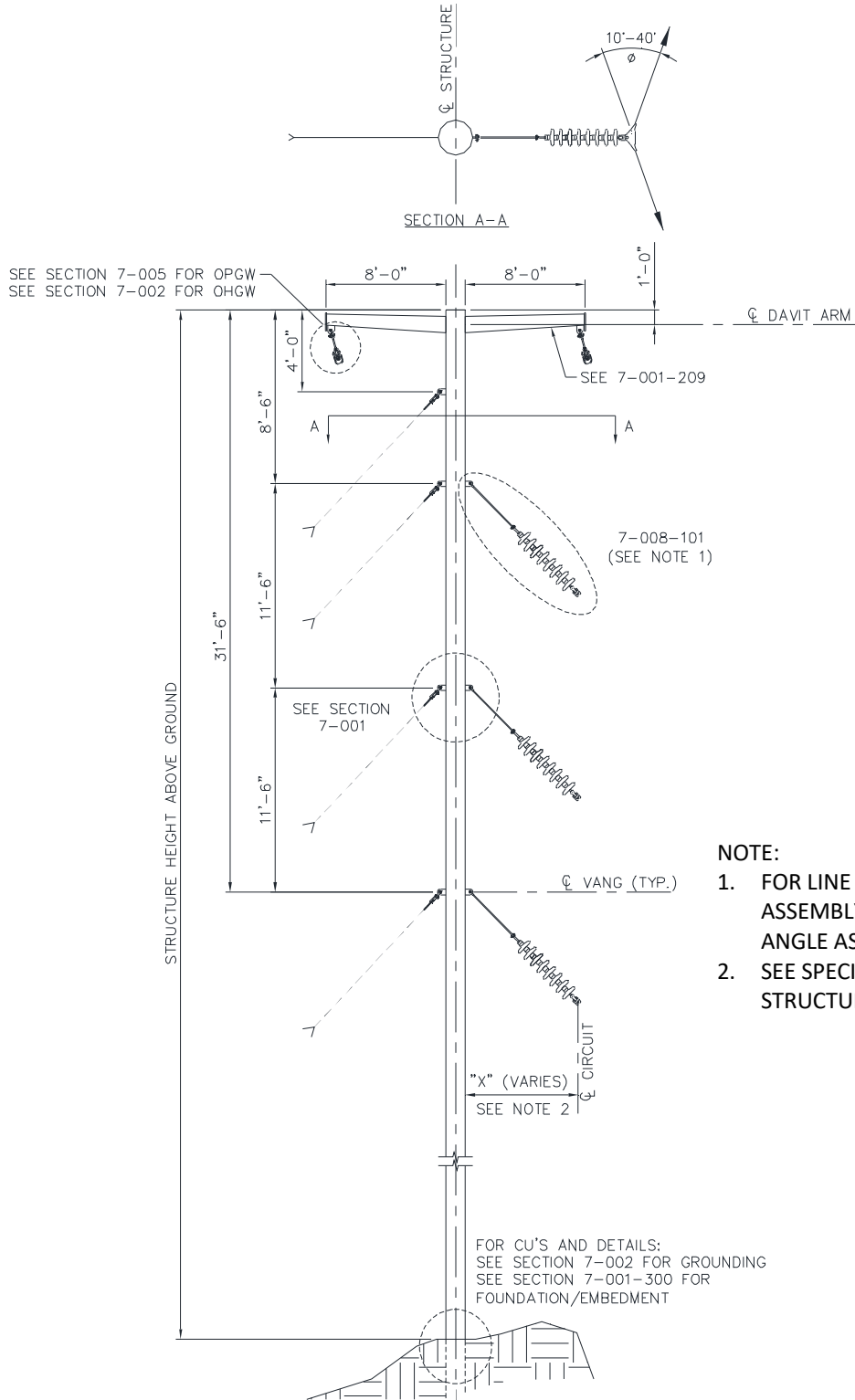
1. See Job Specific Drawings for structure layout dimensions.
2. See 7-001 for guy wire and anchor assemblies. Guy and anchor assemblies may vary per Job Specific Drawings.

Rev	Date	ECN	Sponsor	Reviewer	Transmission Construction Standards PPL Corporate
00	03/18/2016	ECN-6316	MSD	SDS	
01	02/14/2022	ECN-15222	JAK	KEL	Approved: Kyle Supinski
02	05/21/2023	ECN-16828	JMB	JFK	Manager T&S Standards



7-008-012
115/138kV Single Circuit Steel Pole
10° to 40° Angle Suspension Structure

Revision: 01
 Effective Date: 05/21/2023
 Sheet 1 of 1



NOTE:

1. FOR LINE ANGLES 10°-30° USE LOW ANGLE ASSEMBLY, FOR ANGLES 31°-40° USE HIGH ANGLE ASSEMBLY.
2. SEE SPECIFIC JOB INSTRUCTIONS FOR STRUCTURE LAYOUT DIMENSIONS.

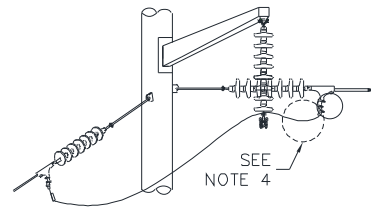
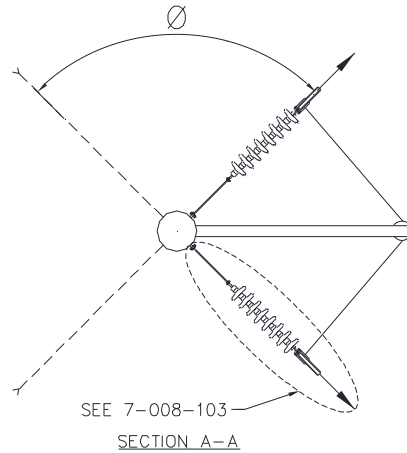
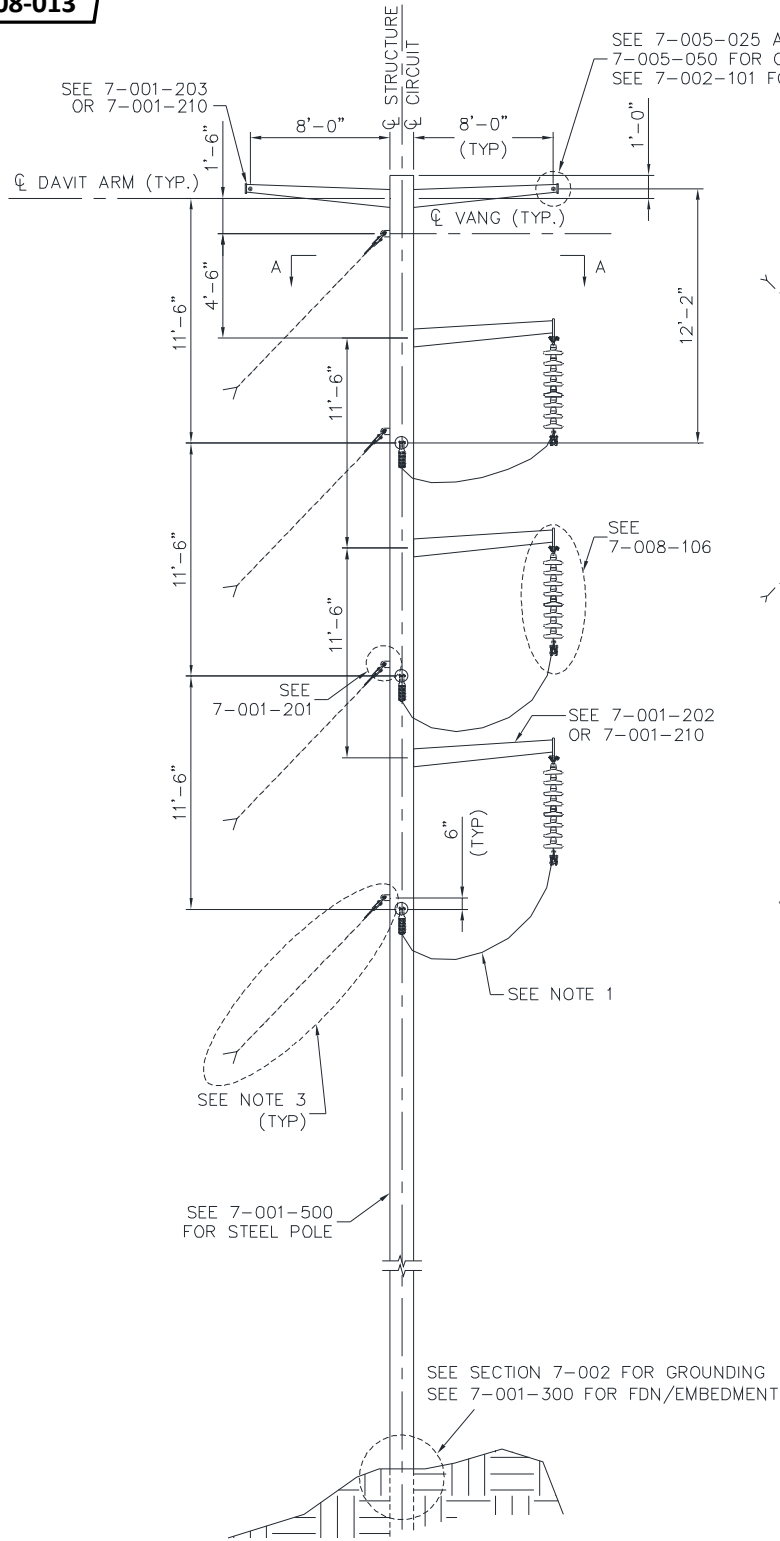
Rev	Date	ECN	Sponsor	Reviewer	Transmission Construction Standards PPL Corporate
00	03/18/2016	ECN-XXXX	MSD	SDS	
01	05/21/2023	ECN-16828	JMB	JFK	Approved: Kyle Supinski
					Manager T&S Standards



7-008-013
115/138kV Single Circuit Steel Pole
Tension on Pole Structure

Revision: 02
 Effective Date: 05/21/2023
 Sheet 1 of 1

T-7-008-013



JUMPER LOOP DETAILS

Notes:

1. A minimum 46 inch clearance shall be maintained from any point on the jumper to all grounded structural components and hardware.
2. Line angle may exceed 90° with approval from PPL Engineering/Standards.
3. See 7-001 for guy wire and anchor assemblies. Guy wire and anchor assemblies may vary per Job Specific Drawings.
4. See 7-003-005 for conductor jumper loops, as necessary.

Rev	Date	ECN	Sponsor	Reviewer	Transmission Construction Standards PPL Corporate
00	03/18/2016	ECN-6316	MSD	SDS	
01	03/11/2022	ECN-15806	JAK	KEL	Approved: Kyle Supinski
02	5/21/2023	ECN-16828	JMB	JFK	Manager T&S Standards

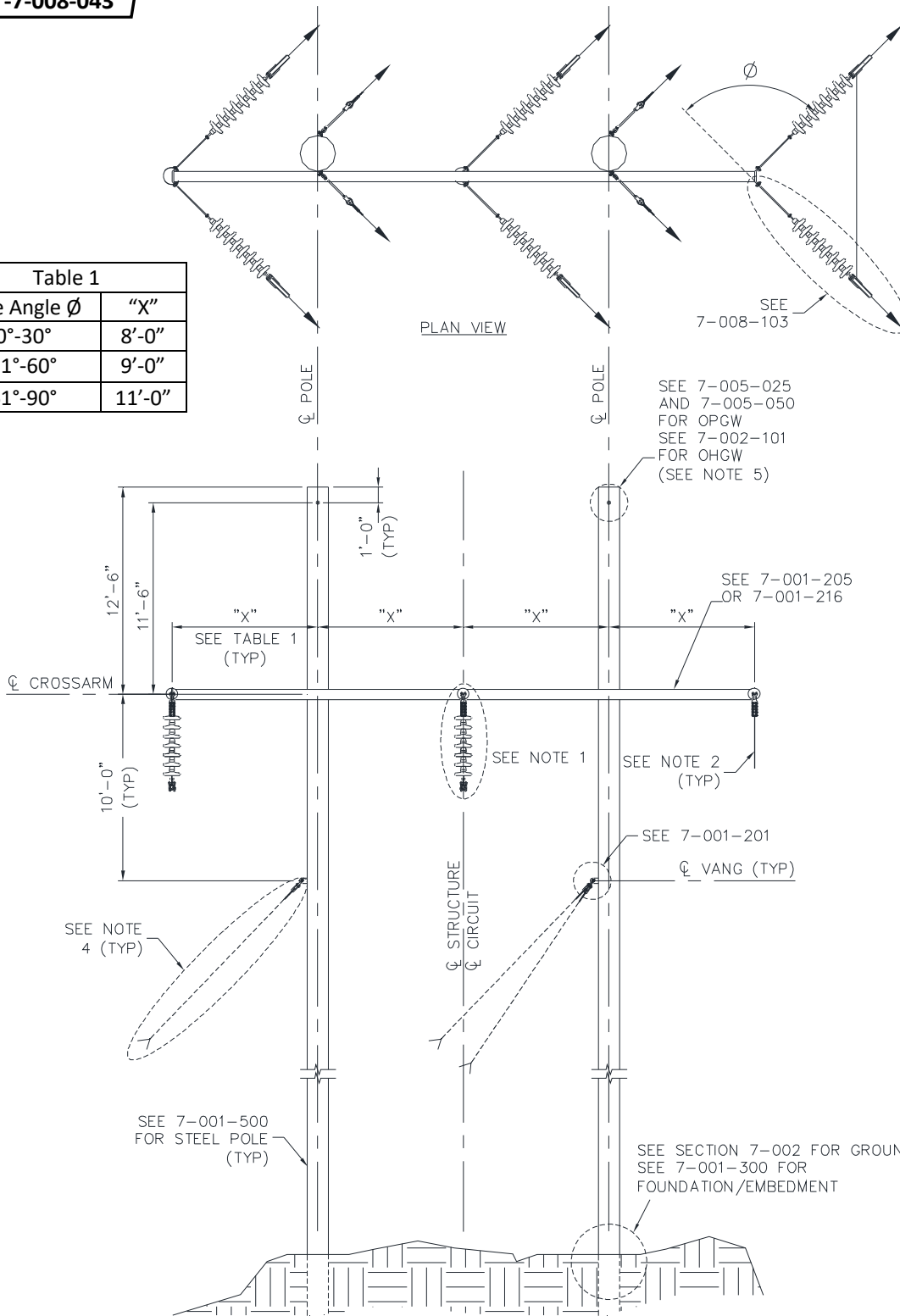


7-008-043
115/138kV Single Circuit Steel H-Frame
Tension Structure

Revision: 02
 Effective Date: 5/23/2023
 Sheet 1 of 1

T-7-008-043

Line Angle \emptyset	"X"
0°-30°	8'-0"
31°-60°	9'-0"
61°-90°	11'-0"



- Notes:**
- For line angles over 10°, install jumper suspension assembly (7-008-106) on outside and middle phases only.
 - A minimum 46-inch clearance shall be maintained from any point on the jumper to all grounded structural components and hardware.
 - Line angle may exceed 90° with approval from PPL Engineering/Standards.
 - See 7-001 for guy wire and anchor assemblies. Guy and anchor arrangement may vary per Job Specific Drawings.
 - Shield wire assembly may be installed on the pole top plate for standard class poles.
 - For areas with side slopes or uneven terrain, see Job Specific Drawings for potential differences in attachment points as measured from the pole top.

Rev	Date	ECN	Sponsor	Reviewer	Transmission Construction Standards PPL Corporate
00	03/18/2016	ECN-6316	MSD	SDS	
01	02/14/2022	ECN-15222	JAK	KEL	Approved: Kyle Supinski
02	05/21/2023	ECN-16828	JMB	JFK	Manager T&S Standards

Approved: E171459 Pepper, Maxwell Huntington