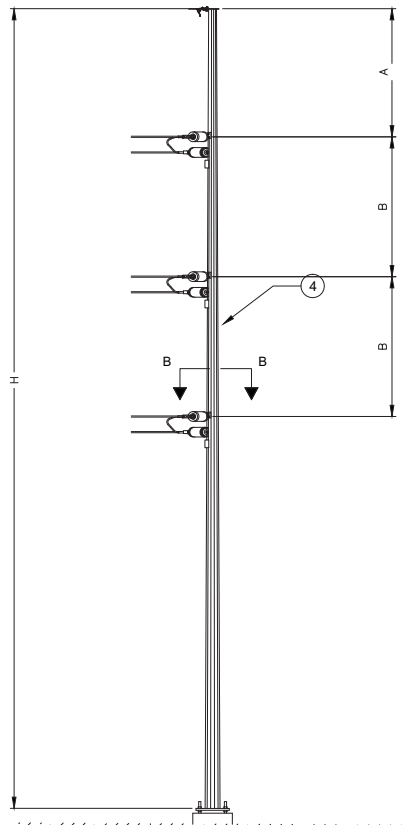
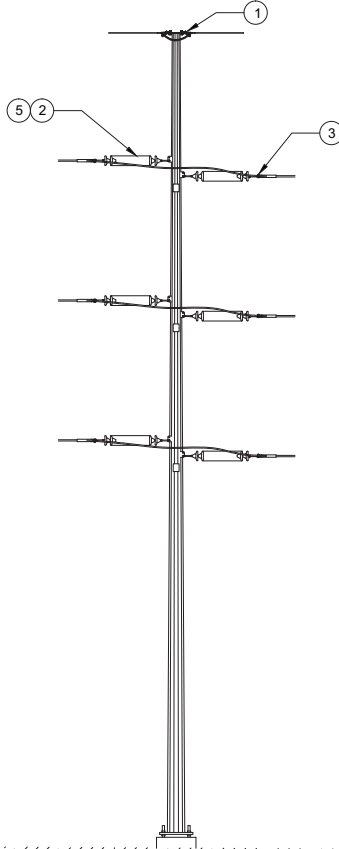




PLAN VIEW



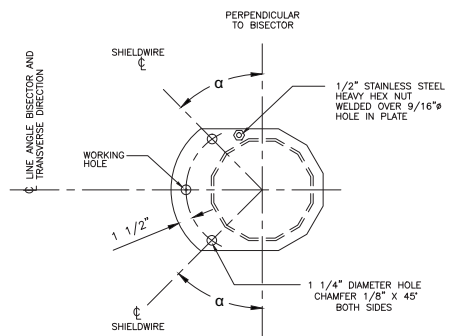
FRONT ELEVATION



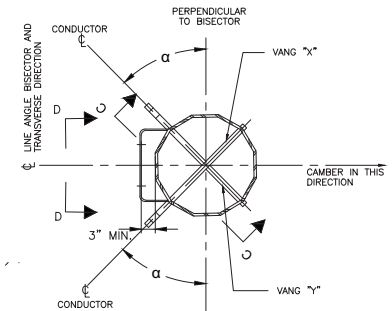
SIDE ELEVATION

ASSEMBLY LIST						
TAG	CU ID	1	2	3	DESCRIPTION	
1	SW.DE.CP.VA	1	1	1	SHIELDWIRE, DEADEND, COMPRESSION, VANG ATTACHED	
2	IN.DE.SS.VA			1	INSULATOR, DEADEND, SINGLE STRING, VANG ATTACHED	
	IN.DE.SS.PS	1	1		INSULATOR, DEADEND, SINGLE STRING, POST INSULATOR	
3	CN.DE.CP.AC	6	6	6	CONDUCTOR, DEADEND, COMPRESSION, ADJUSTABLE CLEVIS	
4	PO.ST	1	1	1	STRUCTURE, STEEL	
5	CN.CL.TR	3	3		CONDUCTOR, CLAMP, TRUNNION	

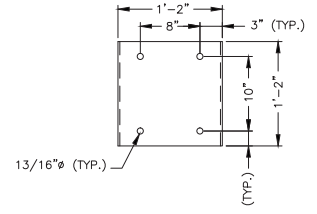
DIMENSION TABLE						
	A	B	theta	alpha	DISCS	VOLTAGE
1	11'-0"	12'-0"	>45° - 60°	27.5°	10	115 kV
2	11'-0"	12'-0"	>60° - 75°	35°	10	115 kV
3	11'-0"	12'-0"	>75° - 90°	42.5°	10	115 kV



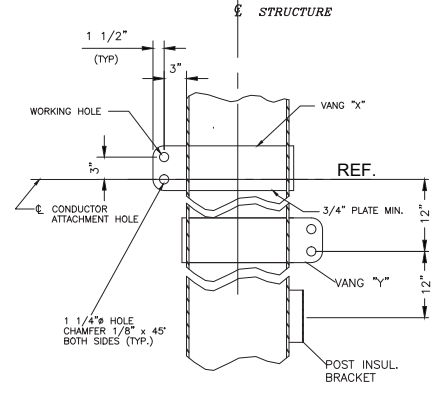
SECTION A-A  
POLE CAP WITH SHIELD WIRE  
ATTACHMENT AND GROUNDING NUT



SECTION B-B  
(TYP. 3 PLACES)



SECTION D-D  
POST INSULATOR BRACKET  
FOR JUMPER LOOP



SECTION C-C

INCHES ON ORIGINAL

CONFIDENTIALITY STATEMENT: THIS DOCUMENT CONTAINS CONFIDENTIAL AND PROPRIETARY INFORMATION OF NATIONAL GRID. IT IS TO BE USED BY AUTHORIZED CONTRACTORS FOR NATIONAL GRID SOLELY IN CONNECTION WITH THE SPECIFIC PROJECT FOR WHICH IT HAS BEEN TRANSMITTED. ANY OTHER USE, ITS TRANSMITTAL TO THIRD PARTIES, OR ITS REPRODUCTION WITHOUT PRIOR EXPRESS WRITTEN AUTHORIZATION OF NATIONAL GRID IS STRICTLY PROHIBITED.

ORIGINAL DATE: 11/05/17/11  
 CHECKED: [ ]  
 REVISED: [ ]  
 APPROVED: [ ]

MACRO UNIT  
 VERTICAL (V1)  
 STEEL (S01)  
 SINGLE POLE DEADEND (01)

PRINTED 6/13/2011 2:02 PM