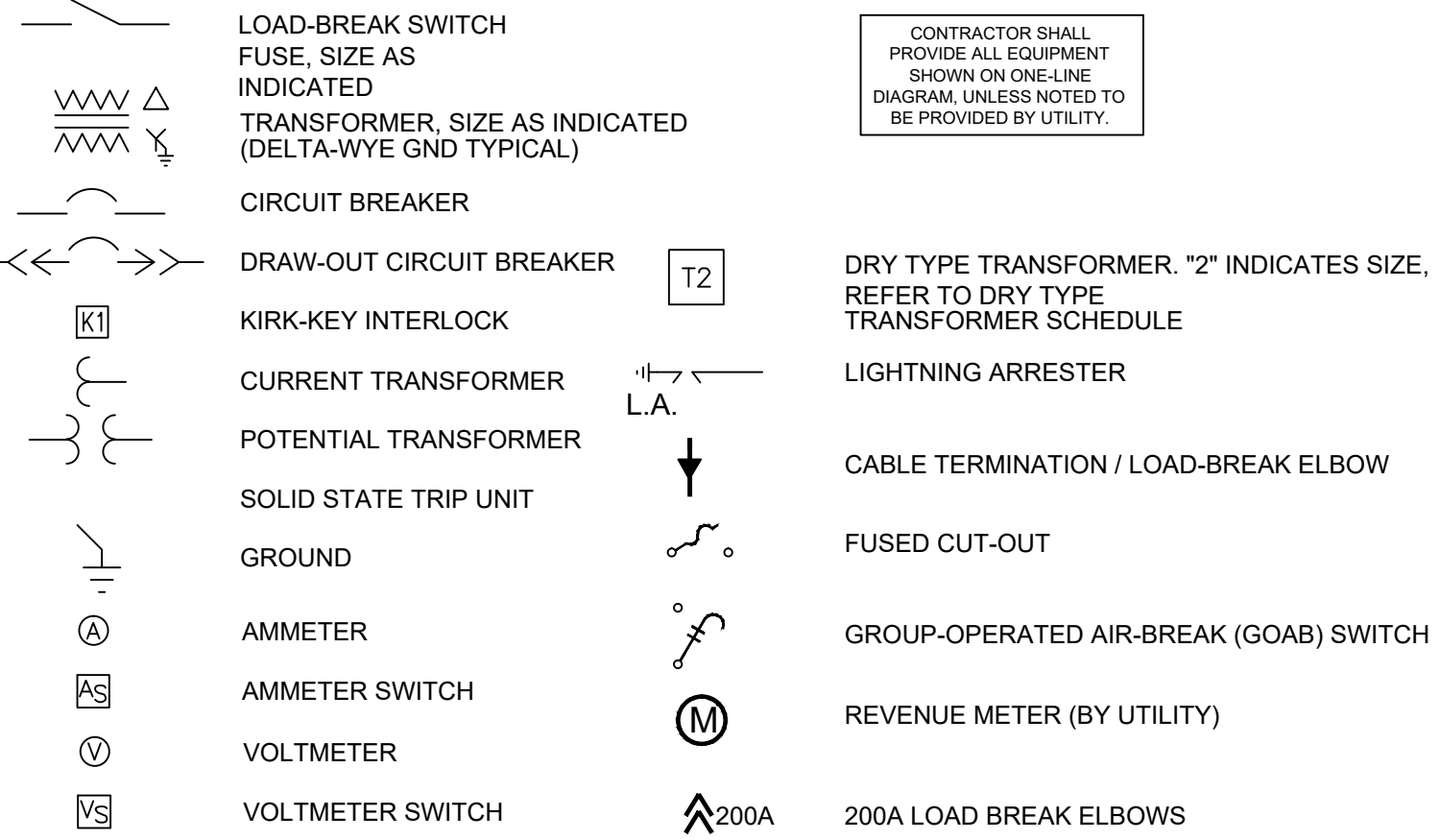


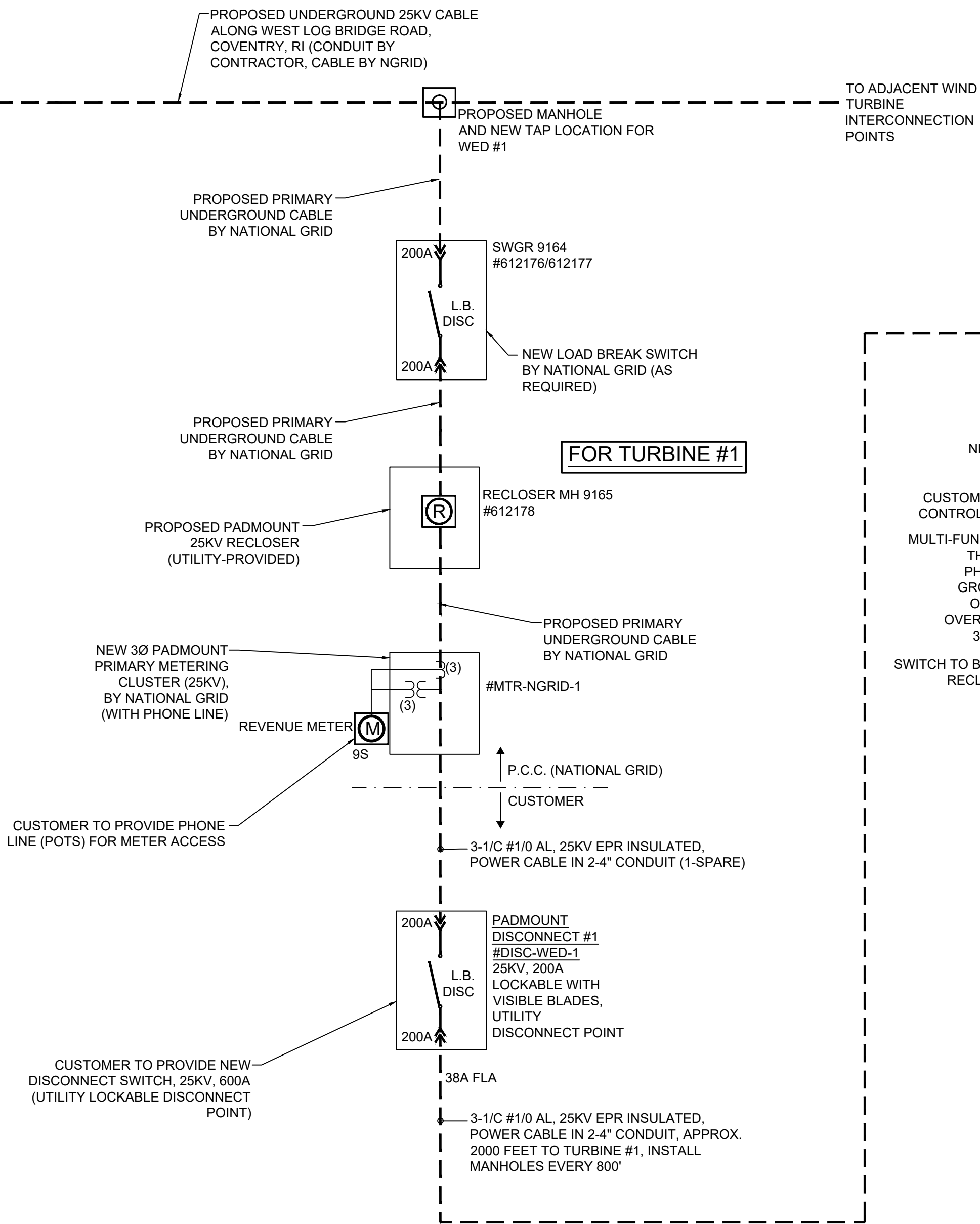
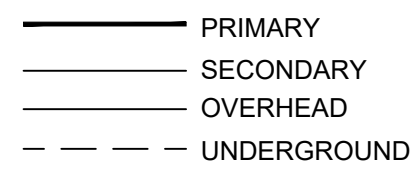
**ONE LINE POWER DIAGRAM**



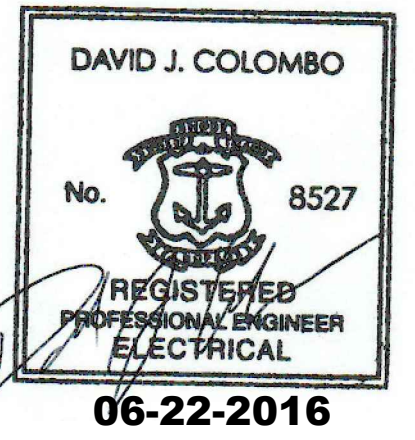
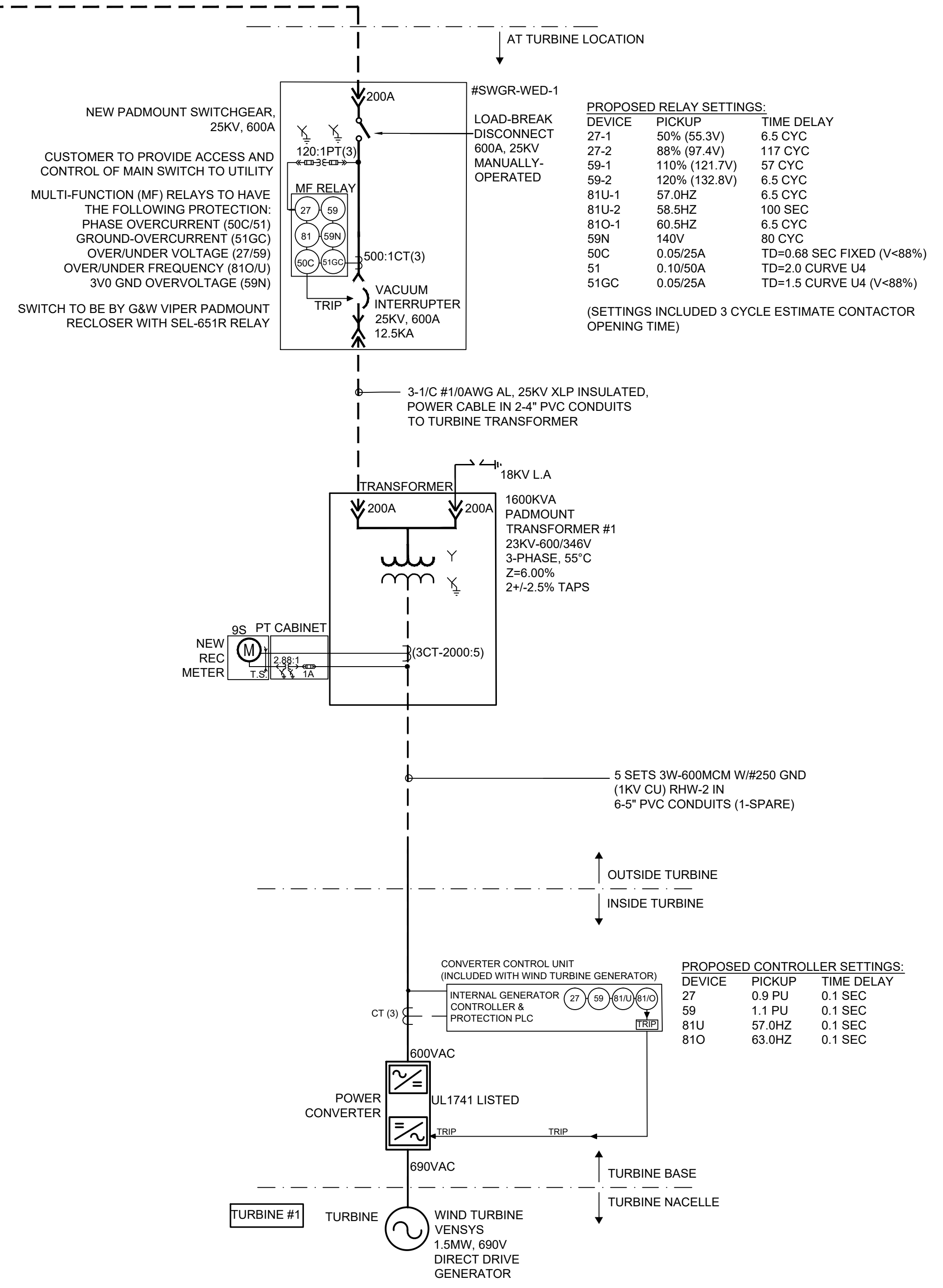
**UTILITY INTERCONNECTION NOTES:**

- INTERFACE TRANSFORMER TO BE WYE PRIMARY AND SECONDARY.
- PROVIDE POTS PHONE LINE TO THE NGRID PRIMARY METERING. PROVIDE 3 FEET ADDITIONAL PHONE LINE AND LIQUID-TIGHT CONDUIT WITH END NUT TO BOTTOM OF METER SOCKET.
- PROTECTIVE RELAYS TO HAVE BATTERY BACKUP OR UPS FOR BACKUP.
- PROTECTIVE RELAY ALARM CIRCUIT TO BE WIRED TO TRIP SWITCH FOR REDUNDANCY PER NATIONAL GRID REQUIREMENTS.

DEVICE NO.	DESCRIPTION
27T	TIME UNDER VOLTAGE RELAY
27I	INSTANTANEOUS UNDER VOLTAGE RELAY
32F	FORWARD OVER POWER RELAY
32R	REVERSE POWER RELAY
46	NEGATIVE PHASE SEQUENCE OVERCURRENT RELAY
47	REVERSE PHASE VOLTAGE RELAY
50/51	INSTANTANEOUS / TIME OVERCURRENT RELAY
51N	GROUND OVERCURRENT RELAY
59I	INSTANTANEOUS OVERVOLTAGE RELAY
59T	TIME OVERVOLTAGE RELAY
60	VOLTAGE BALANCE RELAY
81/O	OVER FREQUENCY RELAY
81/U	UNDER FREQUENCY RELAY



**FOR TURBINE #1**

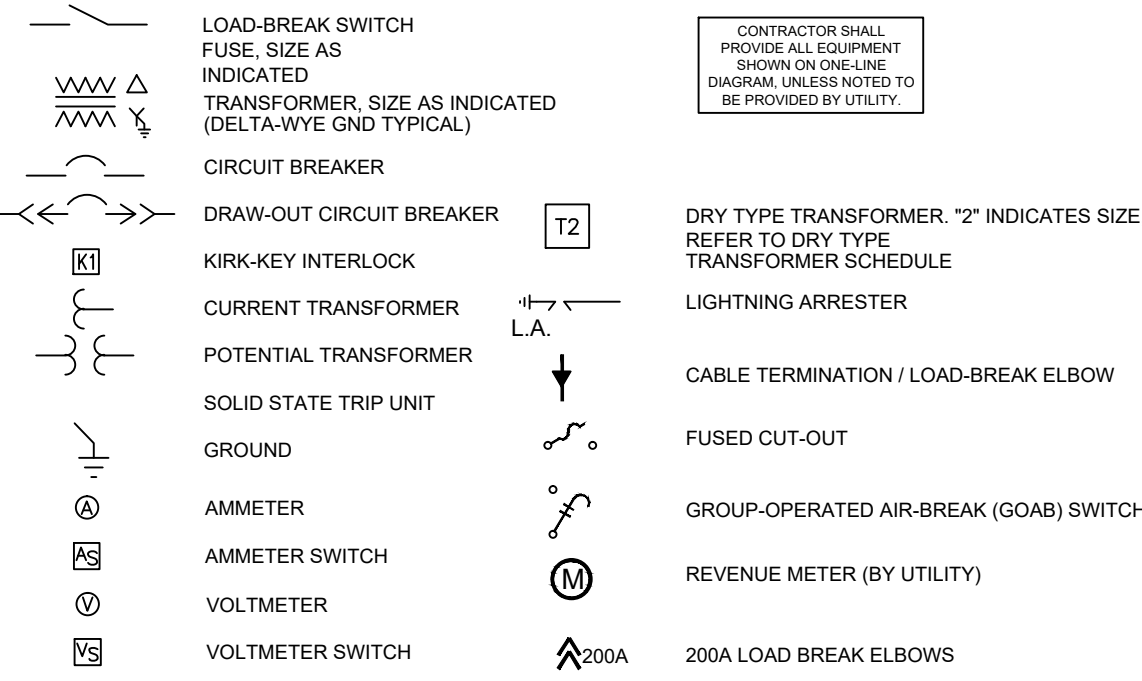


No.	DATE	DESCRIPTION	No.	DATE	DESCRIPTION
6	1/29/2015	REVISED FOR 23KV INTERCONNECTION			
5	10/29/2014	REVISED FOR PERRY HILL INTERCONNECTION POINT			
4	9/17/2014	REVISED FOR GROUNDING TRANSFORMER			
3	7/14/2014	REVISED FOR VENSYS TURBINE			
2	7/7/2014	REVISED TURBINE CONFIGURATION	9	5/20/2016	REVISED TO UPDATE FINAL RELAY SETTINGS
1	01/03/2013	REVISED FOR NGRID APPLICATION	8	10/26/2015	REVISED TO ADD NATIONAL GRID EQUIPMENT NUMBERS
0	01/20/2012	ISSUED FOR REVIEW	7	6/9/2015	REVISED TO CLARIFY UG INTERCONNECTION
No.	DATE	DESCRIPTION	No.	DATE	DESCRIPTION

PROJ. MANAGER:	SEAL	SCALE:	<b>POWER ENGINEERS, LLC</b> 37 Fox Den Road Kingston, MA 02364-2150 (508) 612-0382 www.PowerEngineersLLC.com	WIND ENERGY DEVELOPMENT, LLC COVENTRY - WIND TURBINE #1 PROPOSED ONE-LINE DIAGRAM OFF WEST LOG BRIDGE ROAD, COVENTRY RHODE ISLAND	PROJ. No.: 144D DATE: JAN 2012  <b>E-1</b> SIZE: D REV: 9
CHIEF DESIGNER:		DATUM:			
REVIEWED BY:		HORIZ.: NONE	Electrical Engineering, Power, Lighting, Technical Studies and Utility Consulting		
DATE:		VERT.:		GRAPHIC SCALE 	

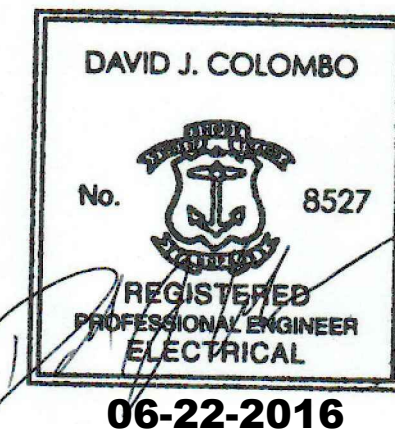
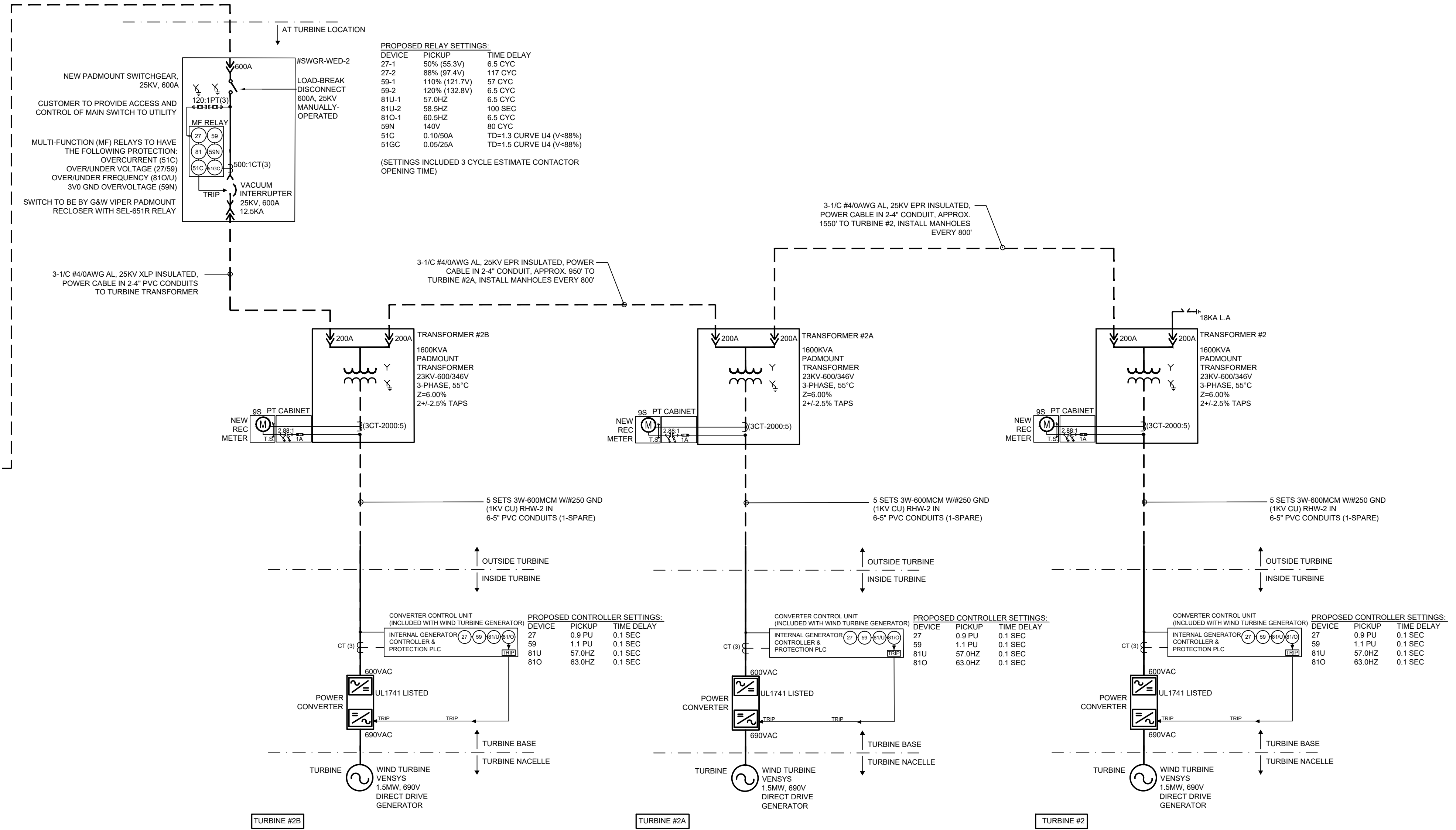
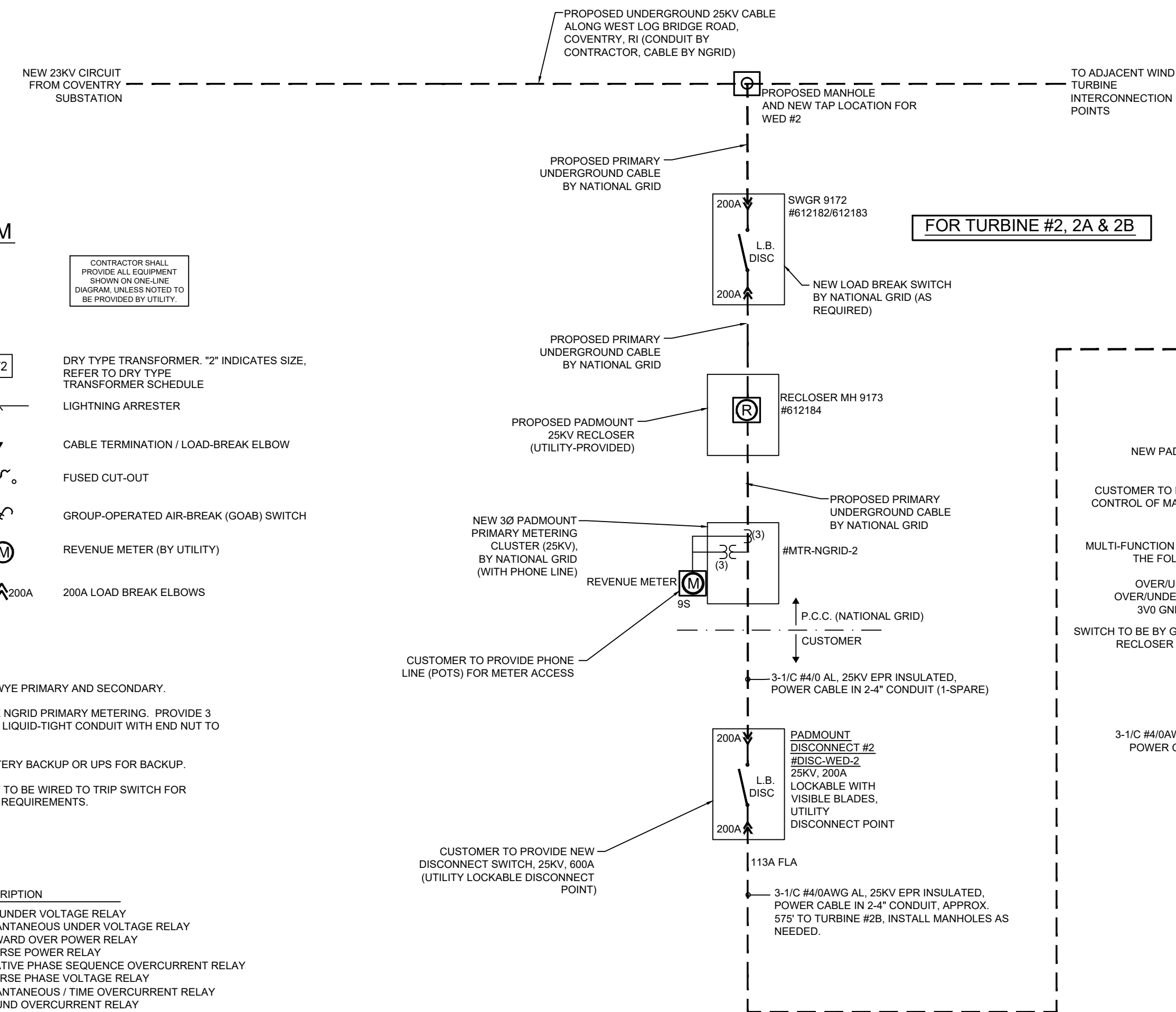
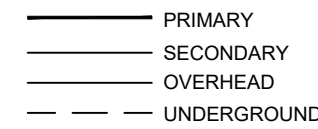
**ONE LINE POWER DIAGRAM**



**UTILITY INTERCONNECTION NOTES:**

- INTERFACE TRANSFORMER TO BE WYE PRIMARY AND SECONDARY.
- PROVIDE POTS PHONE LINE TO THE NGRID PRIMARY METERING. PROVIDE 3 FEET ADDITIONAL PHONE LINE AND LIQUID-TIGHT CONDUIT WITH END NUT TO BOTTOM OF METER SOCKET.
- PROTECTIVE RELAYS TO HAVE BATTERY BACKUP OR UPS FOR BACKUP.
- PROTECTIVE RELAY ALARM CIRCUIT TO BE WIRED TO TRIP SWITCH FOR REDUNDANCY PER NATIONAL GRID REQUIREMENTS.

DEVICE NO.	DESCRIPTION
27T	TIME UNDER VOLTAGE RELAY
27I	INSTANTANEOUS UNDER VOLTAGE RELAY
32F	FORWARD OVER POWER RELAY
32R	REVERSE POWER RELAY
46	NEGATIVE PHASE SEQUENCE OVERCURRENT RELAY
47	REVERSE PHASE VOLTAGE RELAY
50/51	INSTANTANEOUS / TIME OVERCURRENT RELAY
51N	GROUND OVERCURRENT RELAY
59I	INSTANTANEOUS OVERVOLTAGE RELAY
59T	TIME OVERVOLTAGE RELAY
60	VOLTAGE BALANCE RELAY
81O	OVER FREQUENCY RELAY
81U	UNDER FREQUENCY RELAY

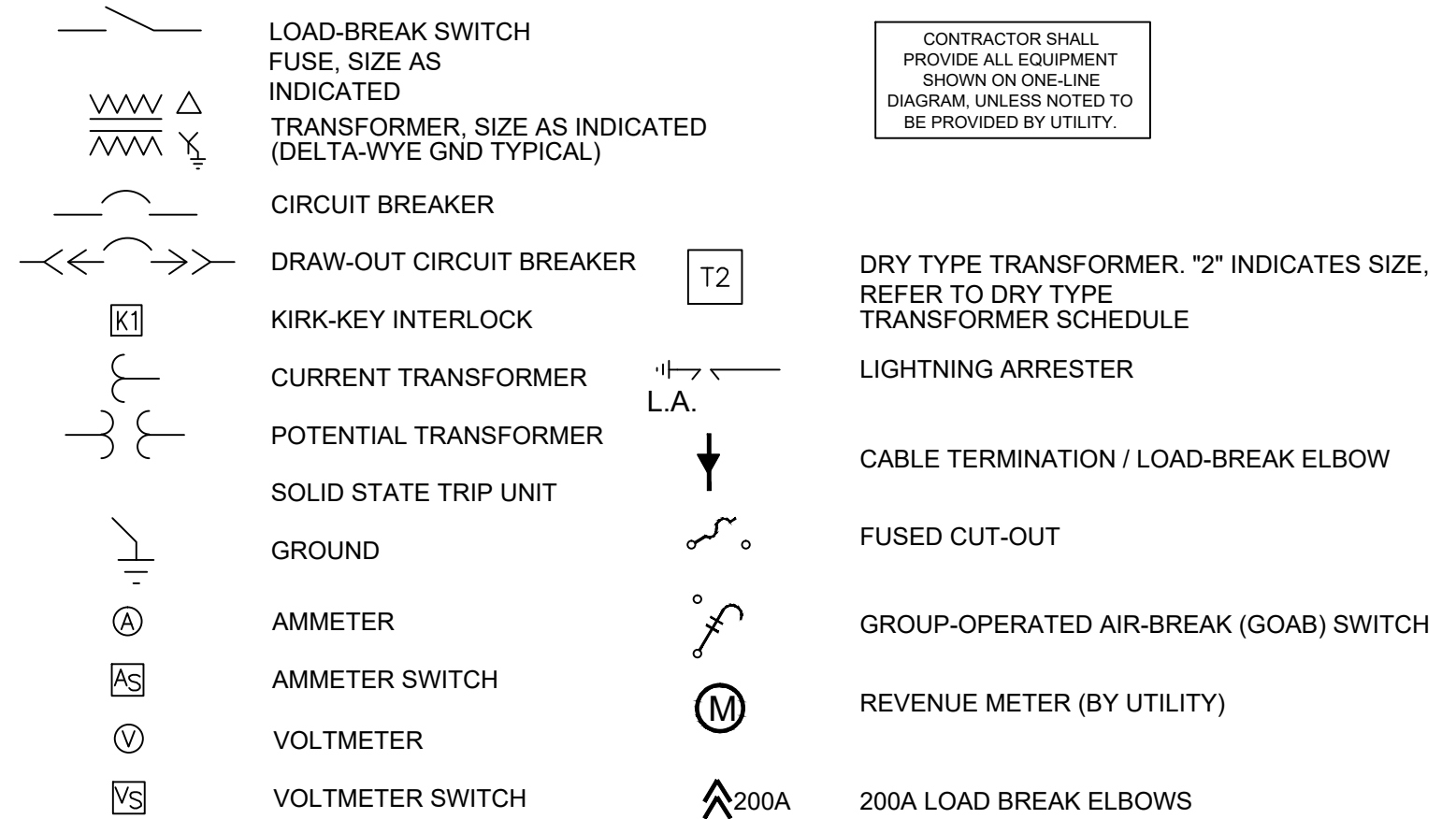


No.	DATE	DESCRIPTION	No.	DATE	DESCRIPTION
6	1/29/2015	REVISED FOR 23KV INTERCONNECTION			
5	10/29/2014	REVISED FOR PERRY HILL INTERCONNECTION POINT			
4	9/17/2014	REVISED FOR GROUNDING TRANSFORMER			
3	7/14/2014	REVISED FOR VENSYS TURBINE			
2	7/7/2014	REVISED TURBINE CONFIGURATION	9	5/17/2016	REVISED TO UPDATE FINAL RELAY SETTINGS
1	01/03/2013	REVISED FOR NGRID APPLICATION	8	10/26/2015	REVISED TO ADD NATIONAL GRID EQUIPMENT NUMBERS
0	01/20/2012	ISSUED FOR REVIEW	7	6/09/2015	REVISED TO CLARIFY UG INTERCONNECTION
No.	DATE	DESCRIPTION	No.	DATE	DESCRIPTION

PROJ. MANAGER:	SEAL	SCALE:	<b>POWER ENGINEERS, LLC</b> 37 Fox Den Road Kingston, MA 02364-2150 (508) 612-0382 www.PowerEngineersLLC.com	WIND ENERGY DEVELOPMENT, LLC COVENTRY - WIND TURBINES #2/2A/2B PROPOSED ONE-LINE DIAGRAM	PROJ. No.: 144D
CHIEF DESIGNER:					DATE: JAN 2012
REVIEWED BY:		DATUM:	Electrical Engineering, Power, Lighting, Technical Studies and Utility Consulting	WEST LOG BRIDGE ROAD, COVENTRY RHODE ISLAND	E-2 SIZE: D REV: 9
DATE		GRAPHIC SCALE			

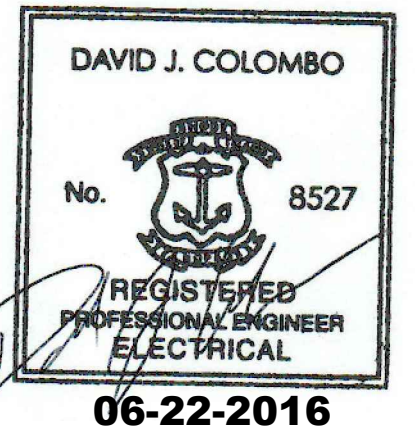
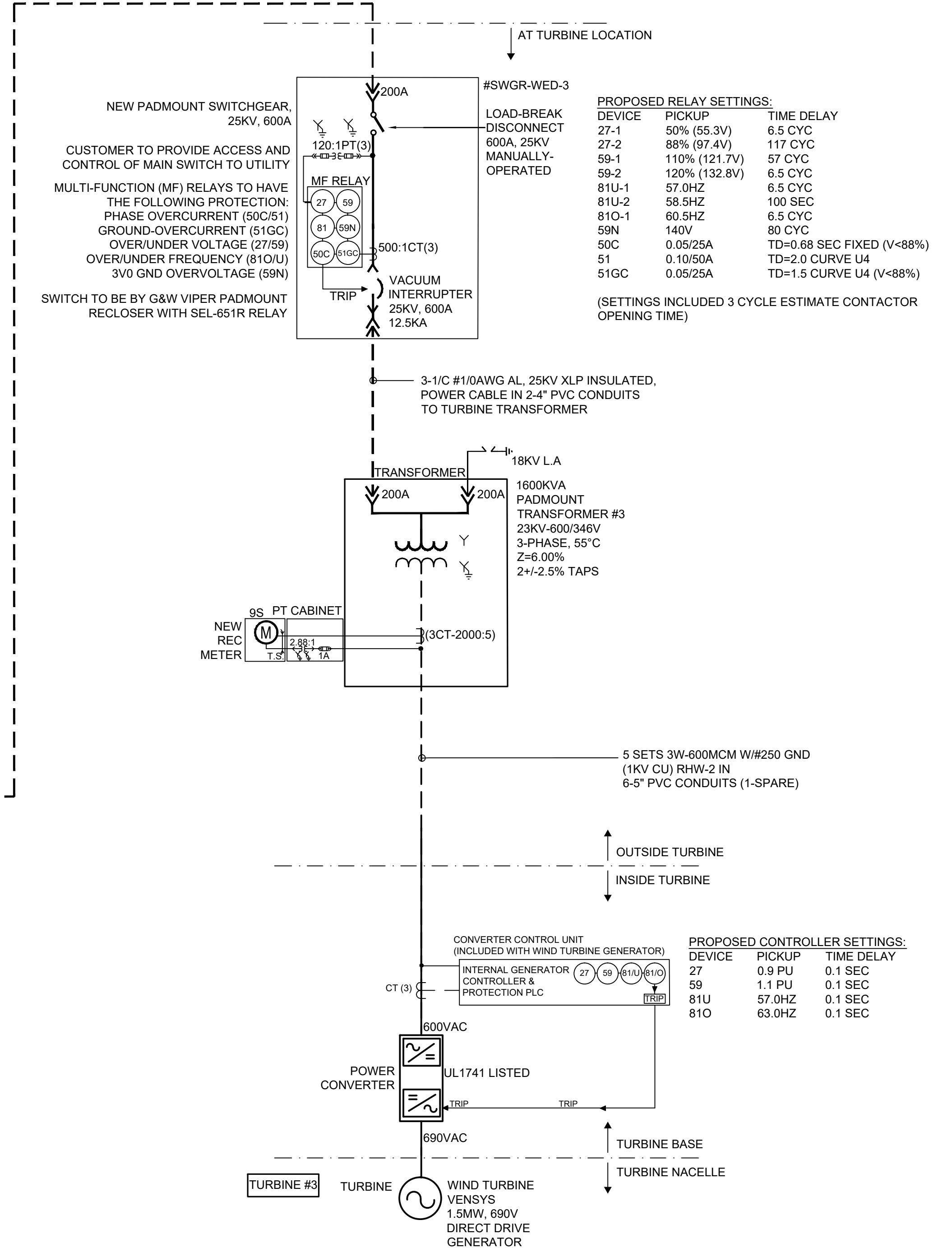
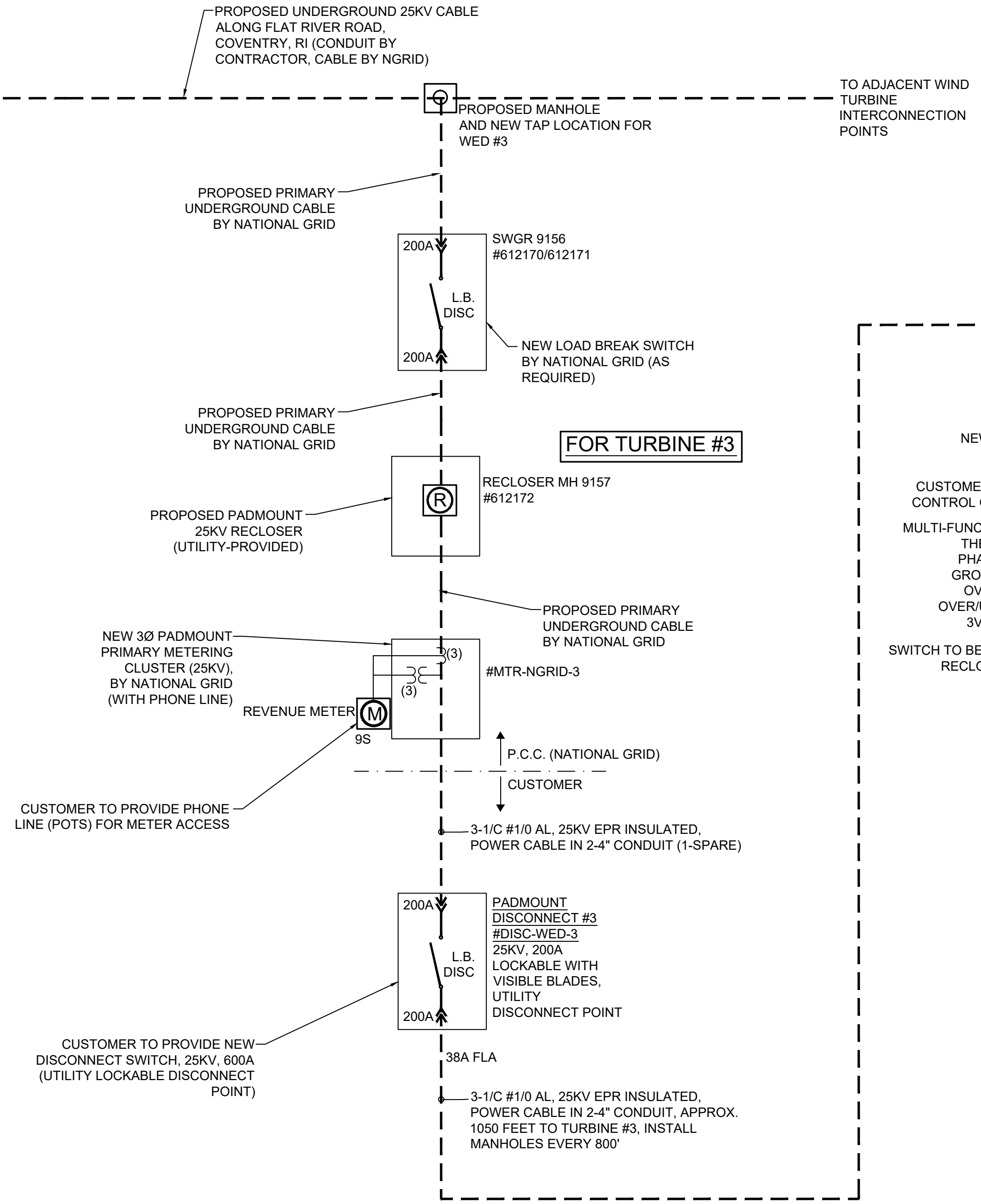
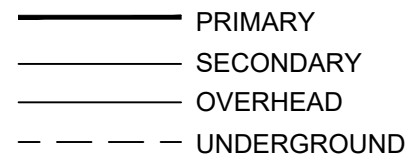
### ONE LINE POWER DIAGRAM



#### UTILITY INTERCONNECTION NOTES:

- INTERFACE TRANSFORMER TO BE WYE PRIMARY AND SECONDARY.
- PROVIDE POTS PHONE LINE TO THE NGRID PRIMARY METERING. PROVIDE 3 FEET ADDITIONAL PHONE LINE AND LIQUID-TIGHT CONDUIT WITH END NUT TO BOTTOM OF METER SOCKET.
- PROTECTIVE RELAYS TO HAVE BATTERY BACKUP OR UPS FOR BACKUP.
- PROTECTIVE RELAY ALARM CIRCUIT TO BE WIRED TO TRIP SWITCH FOR REDUNDANCY PER NATIONAL GRID REQUIREMENTS.

DEVICE NO.	DESCRIPTION
27T	TIME UNDER VOLTAGE RELAY
27I	INSTANTANEOUS UNDER VOLTAGE RELAY
32F	FORWARD OVER POWER RELAY
32R	REVERSE POWER RELAY
46	NEGATIVE PHASE SEQUENCE OVERCURRENT RELAY
47	REVERSE PHASE VOLTAGE RELAY
50/51	INSTANTANEOUS / TIME OVERCURRENT RELAY
51N	GROUND OVERCURRENT RELAY
59I	INSTANTANEOUS OVERVOLTAGE RELAY
59T	TIME OVERVOLTAGE RELAY
60	VOLTAGE BALANCE RELAY
81O	OVER FREQUENCY RELAY
81U	UNDER FREQUENCY RELAY

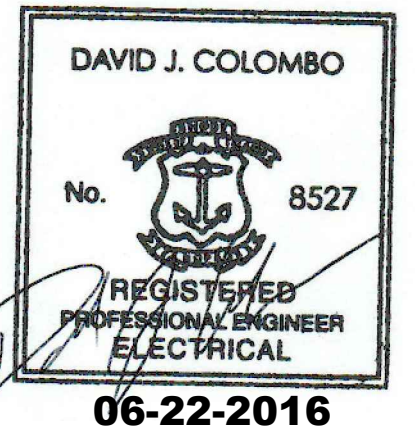
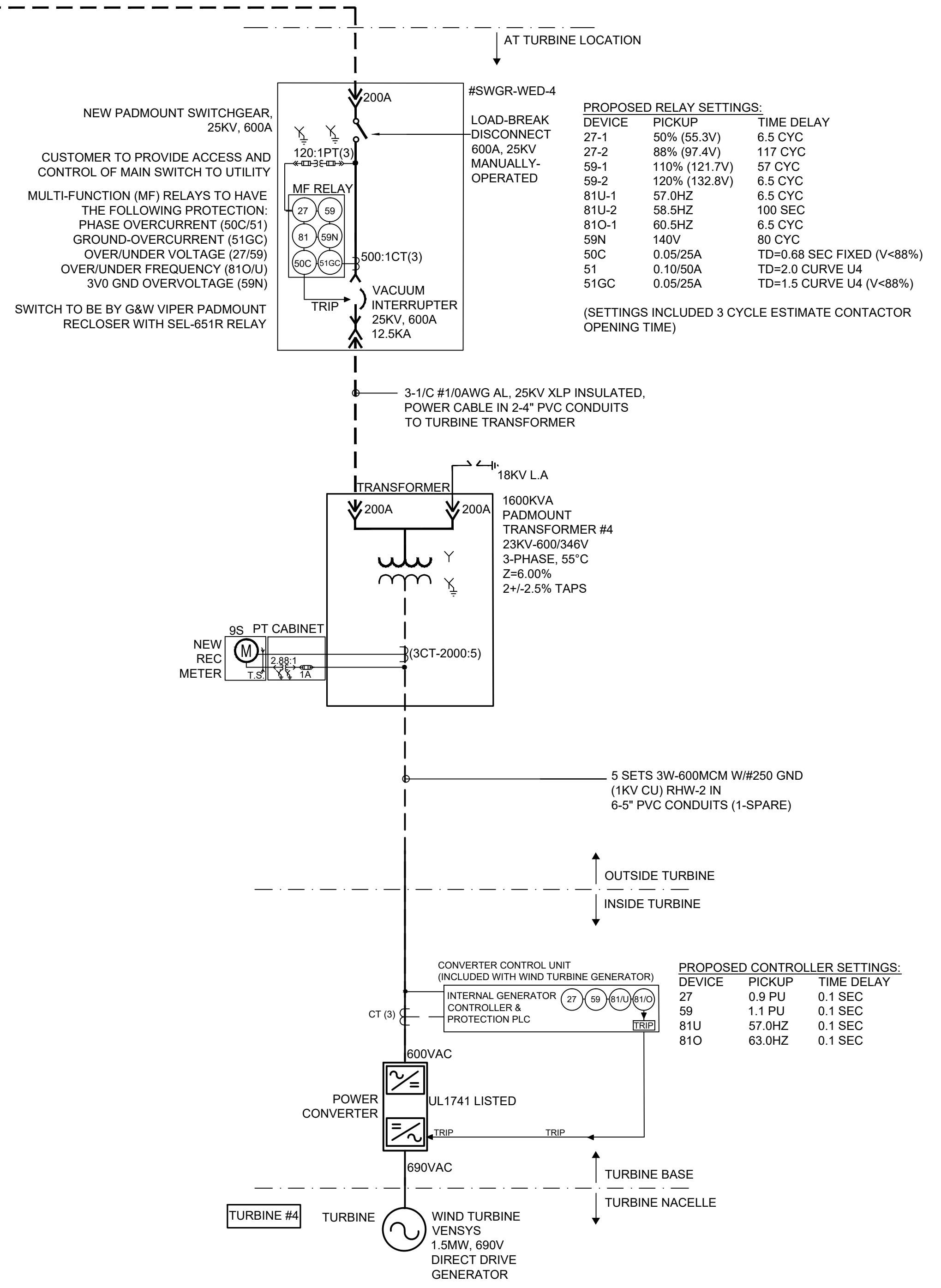
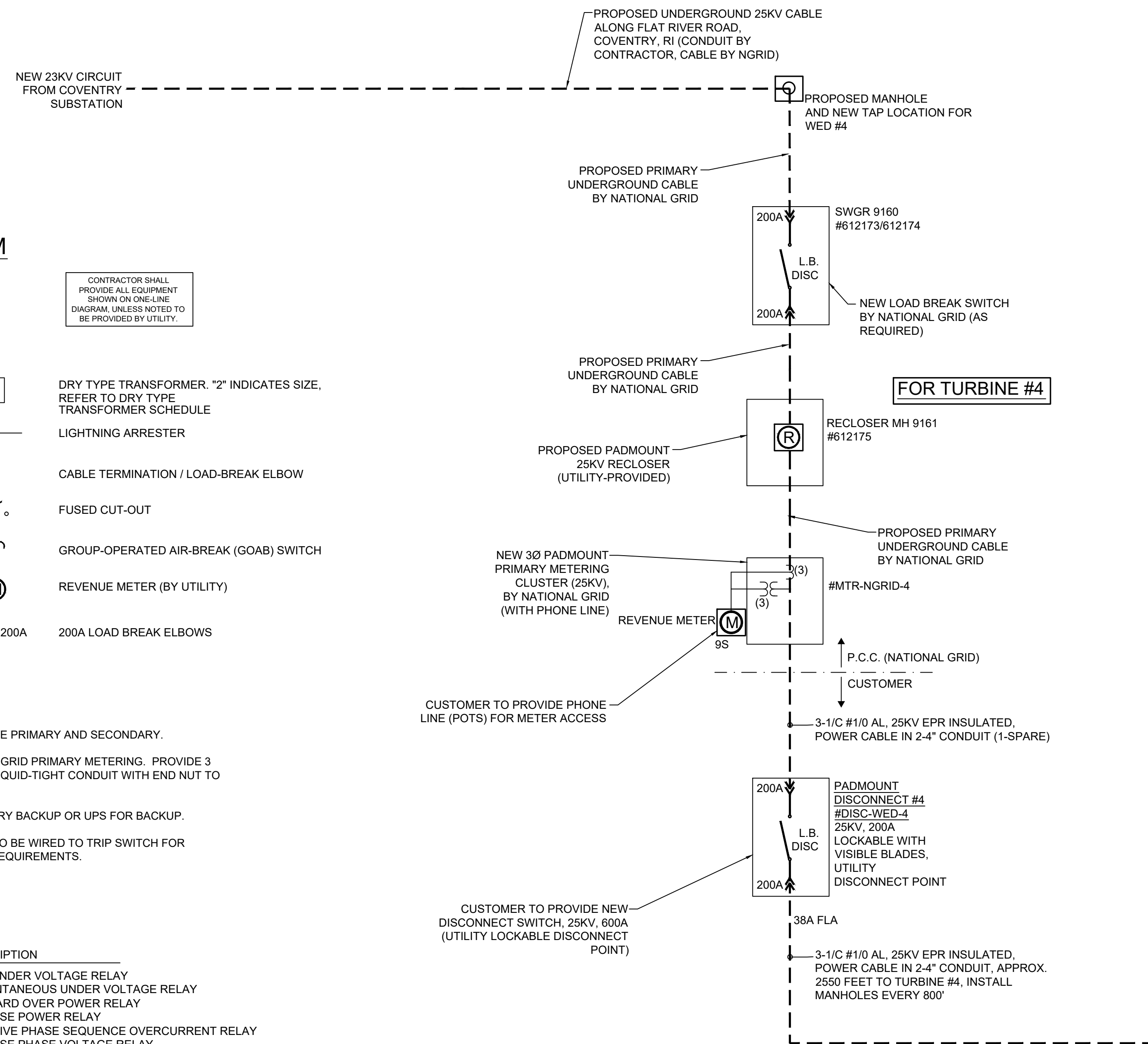
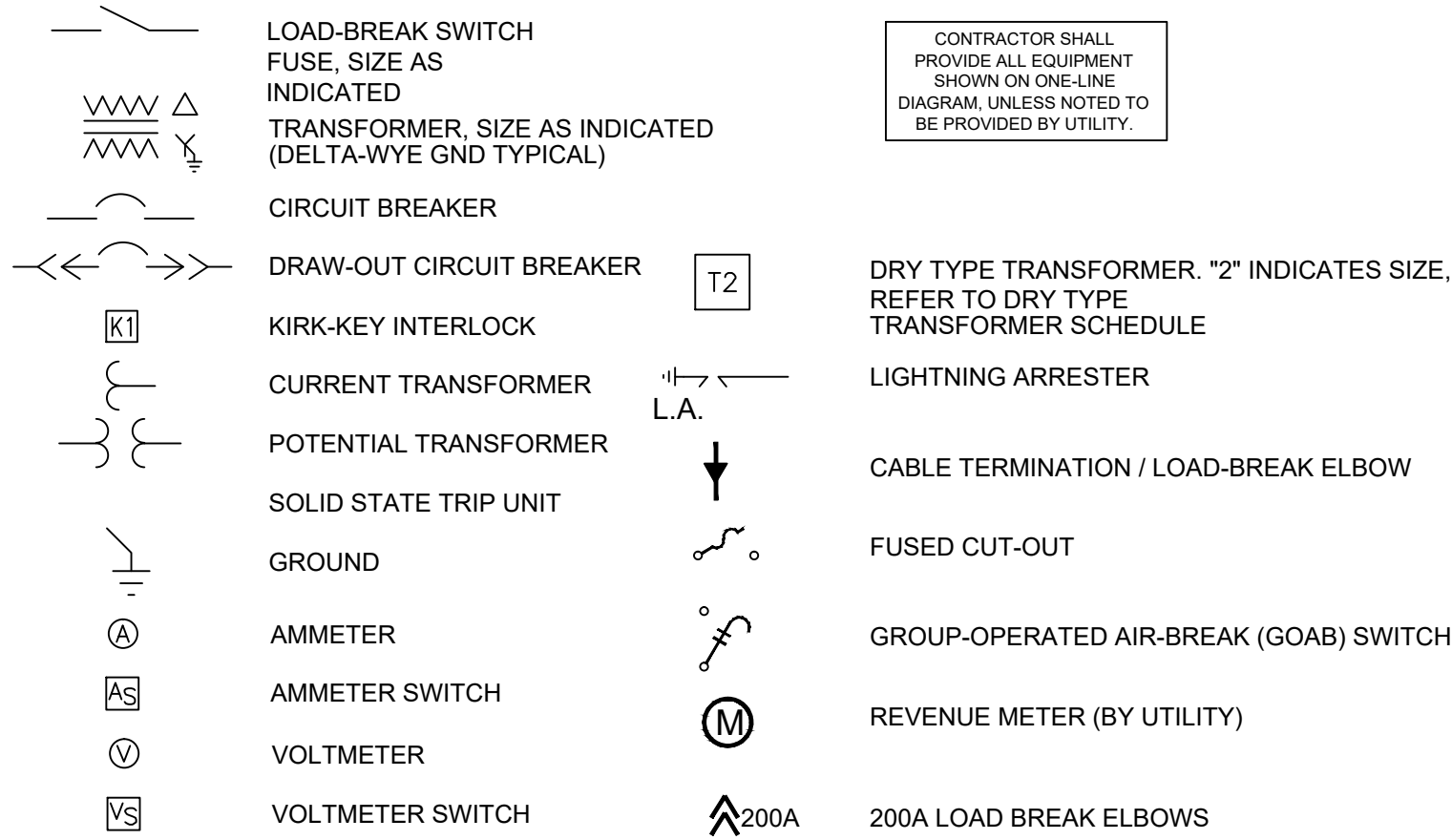


No.	DATE	DESCRIPTION	No.	DATE	DESCRIPTION
6	1/29/2015	REVISED FOR 23KV INTERCONNECTION			
5	10/29/2014	REVISED FOR PERRY HILL INTERCONNECTION POINT			
4	9/17/2014	REVISED FOR GROUNDING TRANSFORMER			
3	7/14/2014	REVISED FOR VENSYS TURBINE			
2	7/7/2014	REVISED TURBINE CONFIGURATION	9	5/20/2016	REVISED TO UPDATE FINAL RELAY SETTINGS
1	01/03/2013	REVISED FOR NGRID APPLICATION	8	10/26/2015	REVISED TO ADD NATIONAL GRID EQUIPMENT NUMBERS
0	01/20/2012	ISSUED FOR REVIEW	7	6/9/2015	REVISED TO CLARIFY UG INTERCONNECTION
No.	DATE	DESCRIPTION	No.	DATE	DESCRIPTION

PROJ. MANAGER:	SEAL	SCALE:	<b>POWER ENGINEERS, LLC</b> 37 Fox Den Road Kingston, MA 02364-2150 (508) 612-0382 www.PowerEngineersLLC.com	WIND ENERGY DEVELOPMENT, LLC COVENTRY - WIND TURBINE #3 PROPOSED ONE-LINE DIAGRAM	PROJ. No.: 144D DATE: JAN 2012  <b>E-3</b>
CHIEF DESIGNER:		HORZ.: NONE VERT.: DATUM: HORZ.: VERT.: GRAPHIC SCALE			

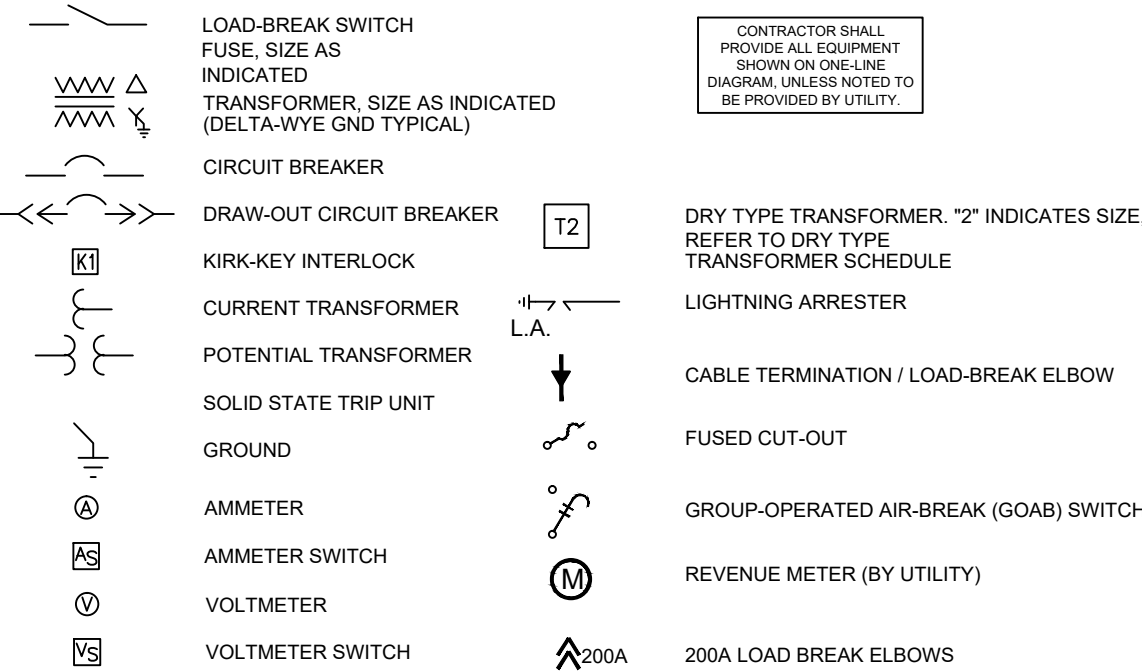
**ONE LINE POWER DIAGRAM**



6	1/29/2015	REVISED FOR 23KV INTERCONNECTION			PROJ. MANAGER:	SEAL	SCALE:	<b>POWER ENGINEERS, LLC</b> 37 Fox Den Road Kingston, MA 02364-2150 (508) 612-0382 www.PowerEngineersLLC.com <i>Electrical Engineering, Power, Lighting,          Technical Studies and Utility Consulting</i>	<b>WIND ENERGY DEVELOPMENT, LLC</b> <b>COVENTRY - WIND TURBINE #4</b> <b>PROPOSED ONE-LINE DIAGRAM</b> FLAT RIVER ROAD, COVENTRY RHODE ISLAND	PROJ. No.: 144D
5	10/29/2014	REVISED FOR PERRY HILL INTERCONNECTION POINT			CHIEF DESIGNER:	HORZ.: NONE	DATE: JAN 2012			
4	9/17/2014	REVISED FOR GROUNDING TRANSFORMER			REVIEWED BY:	VERT.:	 GRAPHIC SCALE			<b>E-4</b>
3	7/14/2014	REVISED FOR VENSYS TURBINE			DATE					
2	7/7/2014	REVISED TURBINE CONFIGURATION	9	5/20/2016	REVISED TO UPDATE FINAL RELAY SETTINGS					
1	01/03/2013	REVISED FOR NGRID APPLICATION	8	10/26/2015	REVISED TO ADD NATIONAL GRID EQUIPMENT NUMBERS					
0	01/20/2012	ISSUED FOR REVIEW	7	6/9/2015	REVISED TO CLARIFY UG INTERCONNECTION					
No.	DATE	DESCRIPTION	No.	DATE	DESCRIPTION					



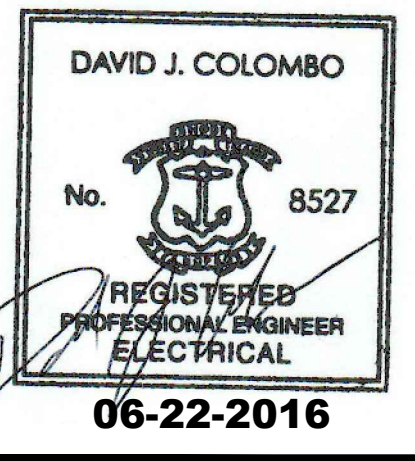
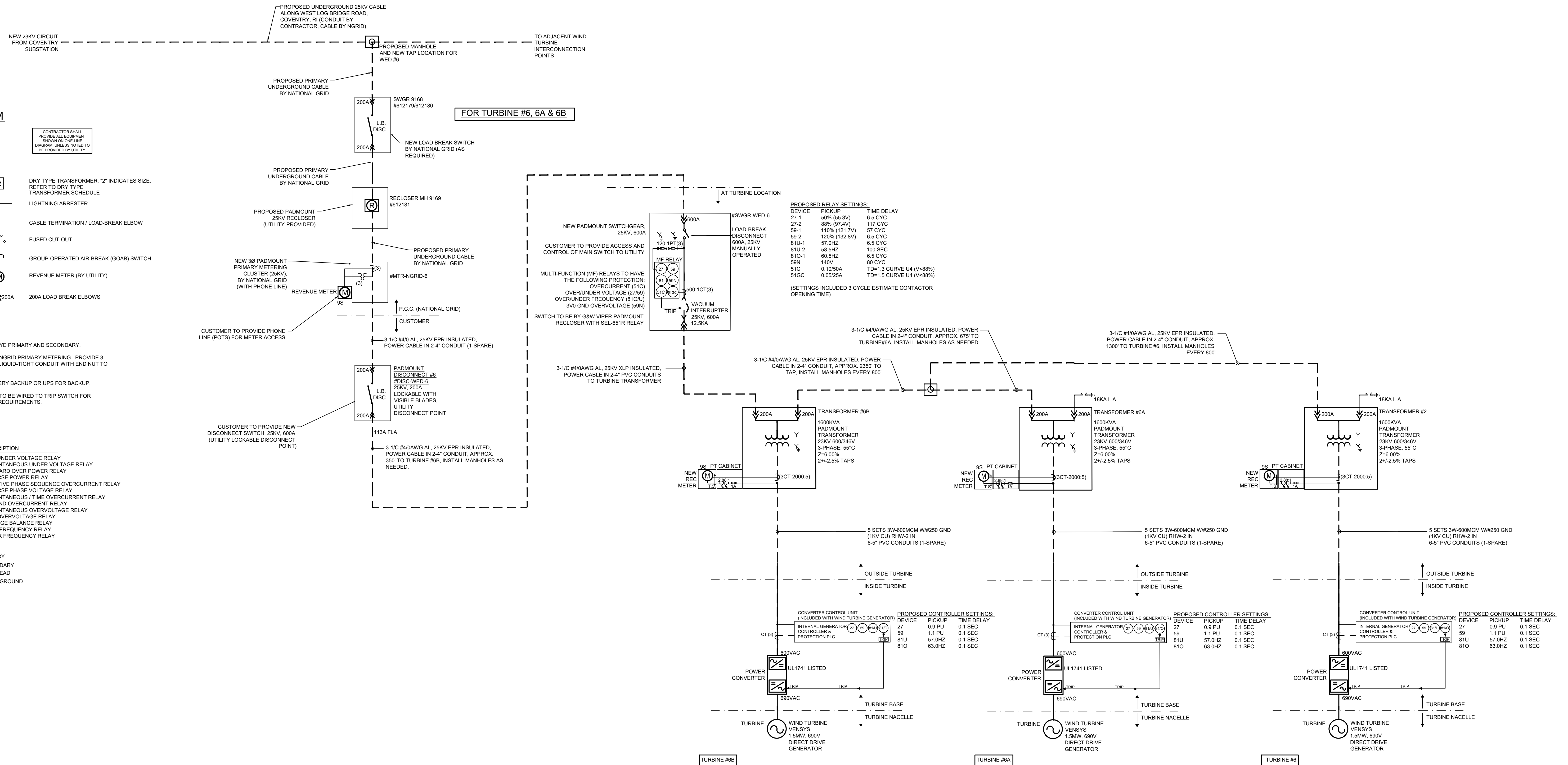
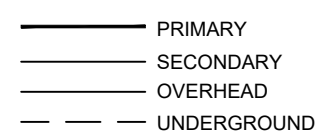
**ONE LINE POWER DIAGRAM**



**UTILITY INTERCONNECTION NOTES:**

- INTERFACE TRANSFORMER TO BE WYE PRIMARY AND SECONDARY.
- PROVIDE POTS PHONE LINE TO THE NGRID PRIMARY METERING. PROVIDE 3 FEET ADDITIONAL PHONE LINE AND LIQUID-TIGHT CONDUIT WITH END NUT TO BOTTOM OF METER SOCKET.
- PROTECTIVE RELAYS TO HAVE BATTERY BACKUP OR UPS FOR BACKUP.
- PROTECTIVE RELAY ALARM CIRCUIT TO BE WIRED TO TRIP SWITCH FOR REDUNDANCY PER NATIONAL GRID REQUIREMENTS.

DEVICE NO.	DESCRIPTION
27T	TIME UNDER VOLTAGE RELAY
27I	INSTANTANEOUS UNDER VOLTAGE RELAY
32F	FORWARD OVER POWER RELAY
32R	REVERSE POWER RELAY
46	NEGATIVE PHASE SEQUENCE OVERCURRENT RELAY
47	REVERSE PHASE VOLTAGE RELAY
50/51	INSTANTANEOUS / TIME OVERCURRENT RELAY
51N	GROUND OVERCURRENT RELAY
59	INSTANTANEOUS OVERVOLTAGE RELAY
59T	TIME OVERVOLTAGE RELAY
60	VOLTAGE BALANCE RELAY
81O	OVER FREQUENCY RELAY
81U	UNDER FREQUENCY RELAY



No.	DATE	DESCRIPTION	No.	DATE	DESCRIPTION
6	1/29/2015	REVISED FOR 23KV INTERCONNECTION			
5	10/29/2014	REVISED FOR PERRY HILL INTERCONNECTION POINT			
4	9/17/2014	REVISED FOR GROUNDING TRANSFORMER			
3	7/14/2014	REVISED FOR VENYSYS TURBINE			
2	7/7/2014	REVISED TURBINE CONFIGURATION	9	5/17/2016	REVISED TO UPDATE FINAL RELAY SETTINGS
1	01/03/2013	REVISED FOR NGRID APPLICATION	8	10/26/2015	REVISED TO ADD NATIONAL GRID EQUIPMENT NUMBERS
0	01/20/2012	ISSUED FOR REVIEW	7	6/09/2015	REVISED TO CLARIFY UG INTERCONNECTION
No.	DATE	DESCRIPTION	No.	DATE	DESCRIPTION

PROJ. No.: 144D  
DATE: JAN 2012

SEAL

SCALE: HORIZ.: NONE  
VERT.:  
DATUM:  
HORIZ.:  
VERT.:  
GRAPHIC SCALE

**POWER ENGINEERS, LLC**  
37 Fox Den Road  
Kingston, MA 02364-2150  
(508) 612-0382  
www.PowerEngineersLLC.com  
Electrical Engineering, Power, Lighting,  
Technical Studies and Utility Consulting

**WIND ENERGY DEVELOPMENT, LLC**  
COVENTRY - WIND TURBINES #6/6A/6B  
PROPOSED ONE-LINE DIAGRAM

WEST LOG BRIDGE ROAD, COVENTRY RHODE ISLAND

**E-6**  
SIZE: D REV: 9